

CW761PB/SW760B



Reduce Water



Tornado Flushing

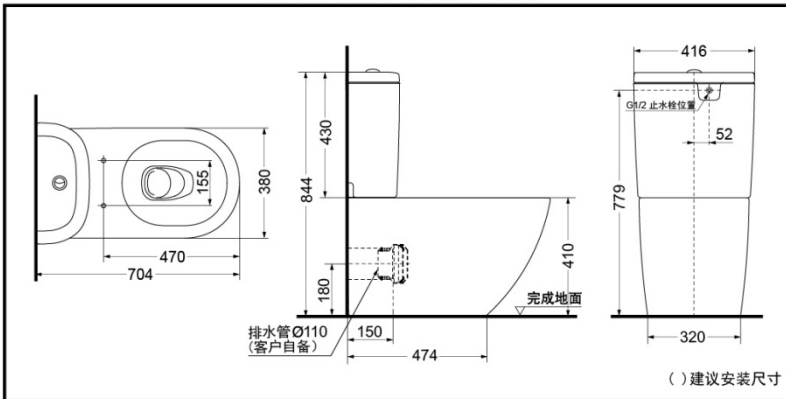


Cefiontect

FEATURES

- water use : 3L/4 .8L.
- 3D tornado flushing.
- Fashion straight-line appearance can match the wall closely.
- Basic+ series.
- Debris mold and bacteria be prevented from sticking to ceramic surfaces, leading to fewer chemicals and water in cleaning .

CW761PB SW760B Close Coupled Toilet (Basic+ series)



*TOTO(CHINA) CO.,LTD. All rights reserved.

SPECIFICS

- Size: 704*416*844mm
 Water Use: 3/4.8L
 Drainage: wall drain
 Flush System:
 3D tornado flushing
 Rough-in: H=180mm
 Water Supply:
 0.05MPa(dynamic pressure)
 ~ 0.75MPa(static pressure)

OTHERS

- Series: Basic+
 Recommend Fittings:
 Lid TC383CVK
 Washlet
 TCF6432CS/TCF6402CS